

NVR301-04LX-P4



Key Features

- Support Ultra 265/H.265/H.264 video formats
- 4-channel input
- Support mainstream cameras of ONVIF conformance(Profile S, Profile G, Profile T) and RTSP protocols
- Support 1-ch HDMI, 1-ch VGA
- HDMI and VGA simultaneous output
- Up to 4K resolution recording
- 1 SATA HDD up to 6 TB
- Support cloud upgrade

Specifications

Model	NVR301-04LX-P4
Video/Audio Input	
IP Video Input	4-ch
Two-way Audio Input	1-ch, RCA
Network	
Incoming Bandwidth	80Mbps
Outgoing Bandwidth	64Mbps
Remote Users	128
Protocols	TCP/IP, P2P, UPnP, NTP, DHCP, PPPoE, HTTP, HTTPS, DNS, DDNS, SNMP, SMTP
Browser	IE(IE10/11) for Windows Firefox (version 52.0 and above) for Windows Chrome(version 45 and above) for Windows Edge(version 79 and above) for Windows

Video/Audio Output

HDMI/VGA Output	HDMI: 3840x2160/30Hz, 1920x1080p/60Hz, 1920x1080p/50Hz, 1600x1200/60Hz, 1280x1024/60Hz, 1280x720/60Hz, 1024x768/60Hz VGA: 1920x1080p/60Hz, 1920x1080p/50Hz, 1600x1200/60Hz, 1280x1024/60Hz, 1280x720/60Hz, 1024x768/60Hz
Recording Resolution	4K/5MP/4MP/3MP/1080p/960p/720p/D1/2CIF/CIF
Audio Output	1-ch, RCA
Audio Compression	G.711A, G.711U
Synchronous Playback	4-ch
Liveview display	1/4
Corridor Mode Screen	3/4

Snapshot

FTP/Schedule/Event Snapshot	4-ch snapshot, up to D1 resolution
-----------------------------	------------------------------------

Decoding

Decoding format	Ultra 265/H.265/H.264
Liveview/Playback	8MP/5MP/4MP/3MP/1080p/960p/720p/D1/2CIF/CIF
Capability	2 x 4k@30, 3 x 5MP@30, 4 x 4MP@30

Hard Disk

SATA	1 SATA interface
Capacity	up to 6TB for each disk

Smart

VCA Detection by Camera	Intrusion Detection, Cross Line Detection, Enter Area, Leave Area, Defocus Detection, Scene Change Detection, Object Left Behind, Object Removed, Auto Tracking
VCA Search	Behavior Search
People counting	People Flow Counting, Crowd Density Monitoring
Smart Intrusion Prevention (SIP) by Camera	4-ch

General Alarm

General Alarm	Motion, Tampering, Human Body Detection, Video Loss, Alarm Input, Audio Detection
Alert Alarm	IP Conflict, Network Disconnected, Disk Offline , Disk Abnormal, Illegal Access, Hard Disk Space Low, Hard Disk Full, Recording/Snapshot Abnormal

External Interface

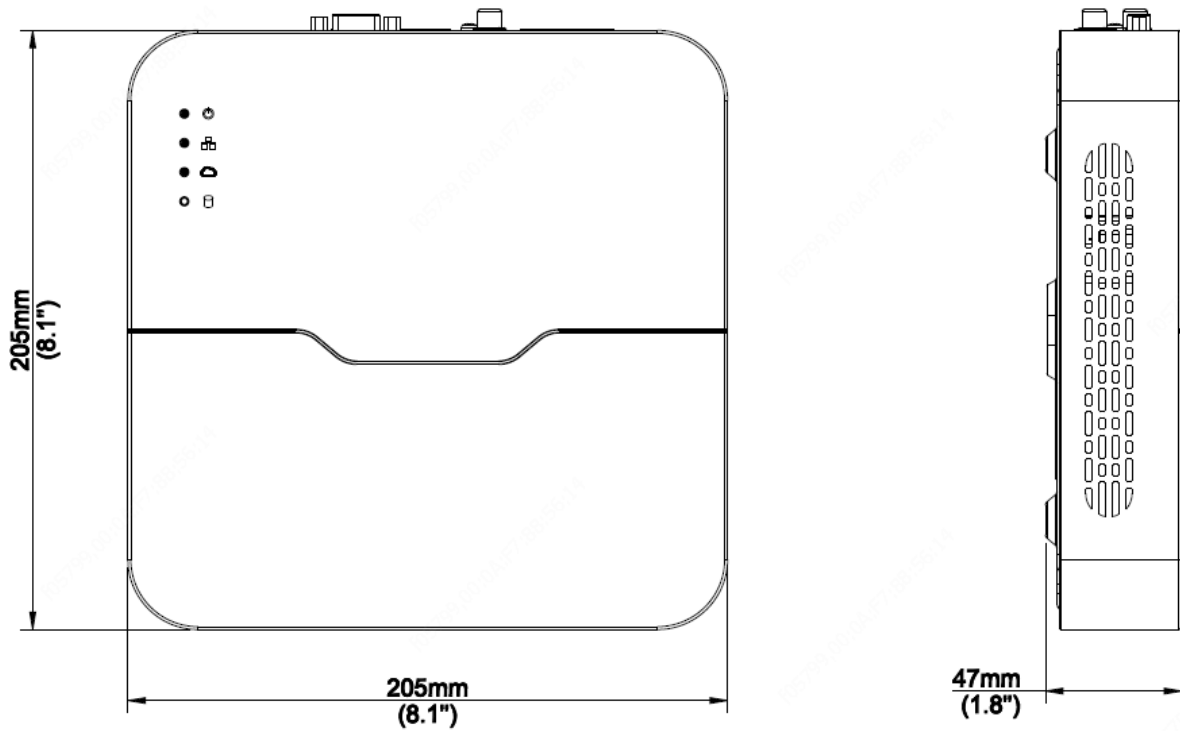
Network Interface	1 RJ45 10M/100M self-adaptive Ethernet Interface
USB Interface	Rear panel: 1 x USB2.0,1 x USB3.0
RS232	NA
RS485	NA
Alarm In	NA
Alarm Out	NA

PoE

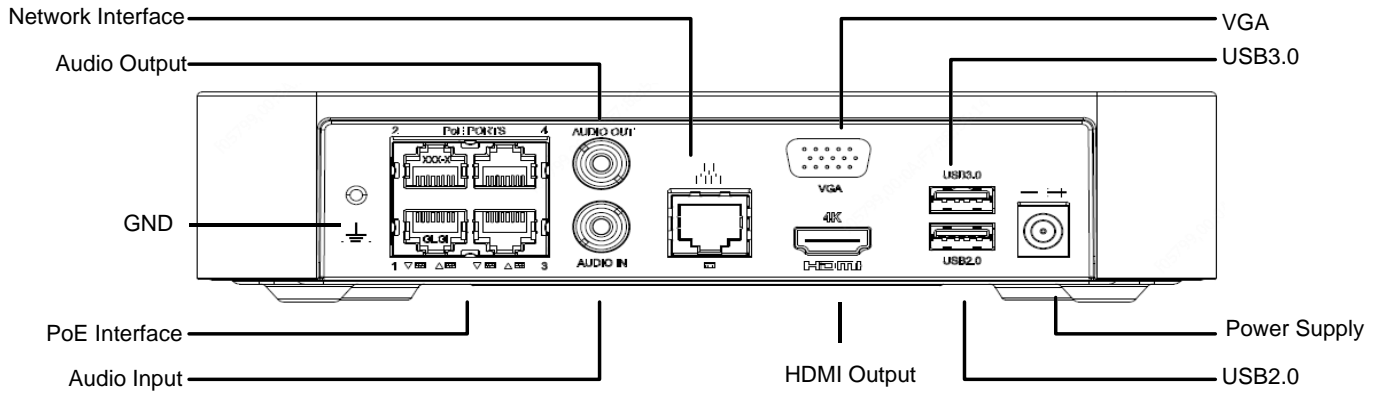
Interface	4 RJ45 10M/100M self-adaptive Ethernet Interface
-----------	--

Max Power	Max 30W for single port Max 54W in total
Supported Standard	IEEE 802.3at, IEEE 802.3af
General	
Power Supply	48V DC Power Consumption: ≤9 W (without HDD)
Working Environment	-10°C ~ + 55°C (+14°F ~ +131°F), Humidity ≤ 90% RH (non-condensing)
Dimensions (W×D×H)	205mm × 205mm × 47mm (8.1"×8.1"×1.8 ")
Weight (without HDD)	≤0.6kg (1.32 lb)
Certification	
Certification	CE, FCC, UL, RoHS, WEEE
CE	EN 55032: 2015, EN 61000-3-3: 2013, EN IEC 61000-3-2: 2019, EN 55035: 2017
FCC	Part15 Subpart B, ANSI C63.4

Dimensions



Rear Panel



Zhejiang Uniview Technologies Co., Ltd.

Building No.10, Wanlun Science Park, Jiangling Road 88, Binjiang District, Hangzhou, Zhejiang, China

Email: overseasbusiness@uniview.com; globalsupport@uniview.com

<http://www.uniview.com>

©2019-2022 Zhejiang Uniview Technologies Co., Ltd. All rights reserved.

* Product specifications and availability are subject to change without notice.